

# CLIN 1200 OP



Rectangular recessed cleanroom luminaire for modular or plasterboard ceiling type. Diffusor-opal acrylic and clear tempered glass. Top quality SMD LED modules with colour consistency MacAdams 3, extensive portfolio of lumen ranges, CCTs and spectra. Variety of drivers: standard EVG on/off, DALI, TW DT8 on request. Mounting into modular or plasterboard ( GK ) type of ceiling. Body is made of aluminium and steel. Standard colour RAL 9003M antibacterial paint, other colours on request. Variety of lumen outputs and drivers allows to use this luminaire in different types of lighting projects. Luminous flux & Luminaire Power tolerance up to 10%. System power consumption depends on components used. Luminous efficacy depends on type of LED's, electronics, optics and diffusor. The most up to date technical parameters can be found on our website and in database of LDT files.

Lighting direction



PDF datasheet:



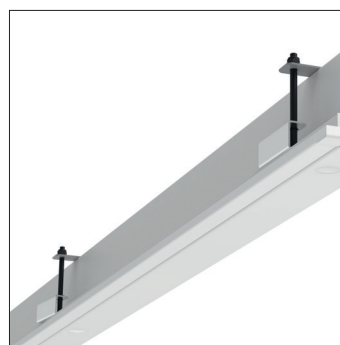
# CLIN 1200 OP

<b>Mounting:</b>	Recessed mounting into modular or plasterboard ceiling
<b>Body material:</b>	Steel and aluminium
<b>Colour:</b>	Standard white RAL 9003, other RAL colours on request
<b>Lumen output:</b>	Standard up to 10.000 lm, any other on request
<b>LED module:</b>	Signify (Philips), Tridonic or equivalent SMD LED modules
<b>Colour temperature:</b>	3000/4000K/2700-6500K TunableWhite, other on request
<b>Colour Rendering:</b>	CRI>80 in standard, other on request
<b>Driver:</b>	EVG on-off/DALI/TW DT8, other on request
<b>Wireless control:</b>	On request
<b>Daylight/Occupancy sensor:</b>	On request
<b>Emergency unit:</b>	On request
<b>Operating temperature range:</b>	0°C ... +35°C
<b>IP Class:</b>	IP65 in standard
<b>Power:</b>	220-240V 50/60Hz
<b>Lighting direction:</b>	Direct lighting
<b>Light distribution:</b>	Symmetric
<b>Optics:</b>	White reflector
<b>Beam angle:</b>	All types available in our LDT file database
<b>Diffuser:</b>	Clear glass with opal acrylic
<b>Warranty:</b>	5 Years standard warranty

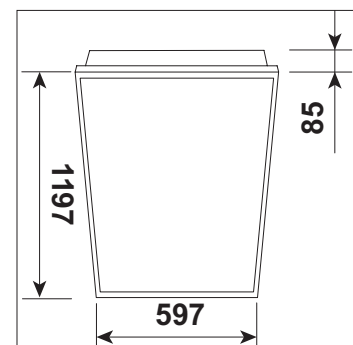
**CLIN 1200 OP** modular ceiling luminaire

**CLIN 1200 OP GK** plasterboard ceiling luminaire

All current index numbers, lumen outputs, power consumption and many other technical information are available in our 2024 pricelist.



GK plasterboard ceiling brackets



Basic dimensions

# CLIN 1200 OP



Available versions

## CLIN 1200 OP

Product code	Product name	Gross Lumen [lm]	Nett Lumen [lm]	Power [W]	Efficacy [lm/W]	Colour temperature [K]	Lifetime L/B	Diffuser	Length [mm]	Width [mm]	Height [mm]
<b>Recessed luminaire lay-in type for modular ceiling with opalic glass diffuser</b>											
12.00150.83.E.OP.CG	CLIN 1200 OP / 10000lm / 830 / E / OP / CG	10000	8500	60	142	3000	70.000/L80B10	OP/CG	1195	595	75
12.00150.84.E.OP.CG	CLIN 1200 OP / 10000lm / 840 / E / OP / CG	10000	8500	60	142	4000	70.000/L80B10	OP/CG	1195	595	75
<b>Recessed luminaire for plasterboard ceiling with opalic glass diffuser</b>											
12.00155.83.E.OP.CG	CLIN 1200 OP GK / 10000lm / 830 / E / OP / CG	10000	8500	60	142	3000	70.000/L80B10	OP/CG	1195	595	75
12.00155.84.E.OP.CG	CLIN 1200 OP GK / 10000lm / 840 / E / OP / CG	10000	8500	60	142	4000	70.000/L80B10	OP/CG	1195	595	75